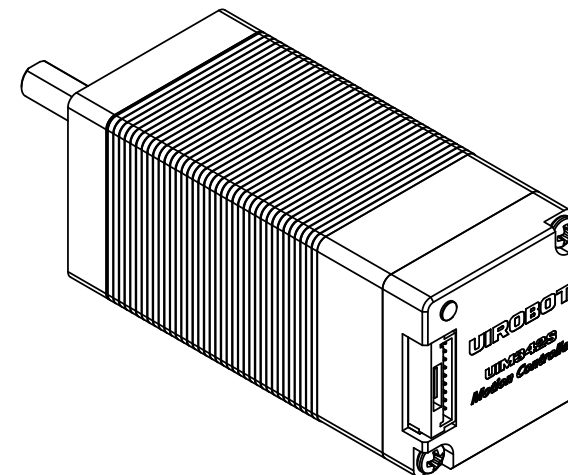
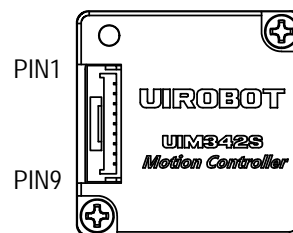
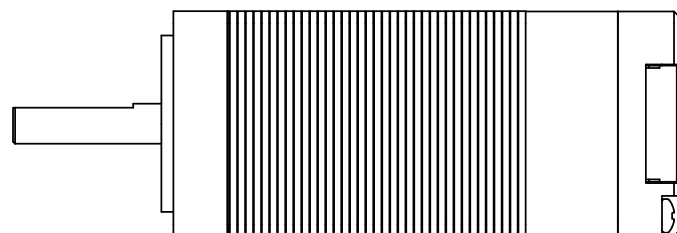
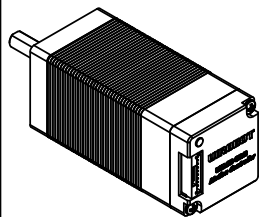


Weight: 218g
Dimensions Unit=mm

STEP ANGLE	1.8°±5%/full step	NUMBER OF PHASE	2	MATERIAL			UIROBOT
RATED CURRENT	0.8 A/Phase	WEIGHT	218g				
ROTOR INERTIA	18 g.cm ²	AXIAL-FORCE	Fa=7 N Max	STAGE MARK	WEIGHT	SCALE	MODEL NUMBER
SOURCE VOLTAGE	24 VDC	RADIAL-FORCE	Fr=28 N Max		218g	3:2	UIM2852CM
HOLDING TORQUE	0.16 N.m			FIRST ANGLE PROJECTION			DWG NO.
OPERATION AMBIENT	Ambient temperature: 0...+50°C , humidity Max.90% (No condensation)			SHEET			EDITION
STORAGE AMBIENT	Ambient temperature: -20...+70°C , humidity Max.90% (No condensation)			1 OF 2			

RoHS
COMPLIANT



Weight: 218g
Dimensions Unit=mm

STEP ANGLE	1.8°±5%/full step	NUMBER OF PHASE	2	MATERIAL			UIROBOT
RATED CURRENT	0.8 A/Phase	WEIGHT	218g				
ROTOR INERTIA	18 g.cm ²	AXIAL-FORCE	Fa=7 N Max				
SOURCE VOLTAGE	24 VDC	RADIAL-FORCE	Fr=28 N Max	STAGE MARK	WEIGHT	SCALE	MODEL NUMBER
HOLDING TORQUE	0.16 N.m				218g	3:2	UIM2852CM
OPERATION AMBIENT	Ambient temperature: 0...+50°C , humidity Max.90% (No condensation)			FIRST ANGLE PROJECTION			DWG NO.
STORAGE AMBIENT	Ambient temperature: -20...+70°C , humidity Max.90% (No condensation)			SHEET	2 OF 2		EDITION