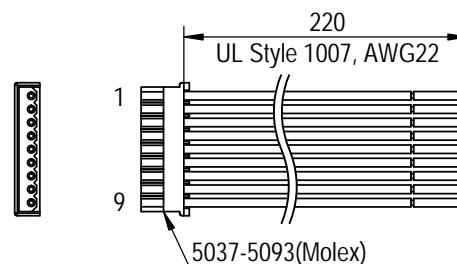
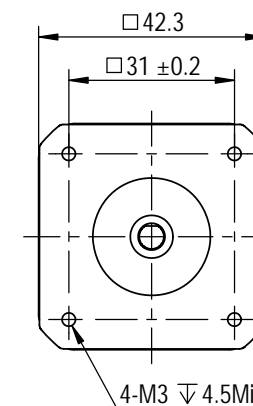
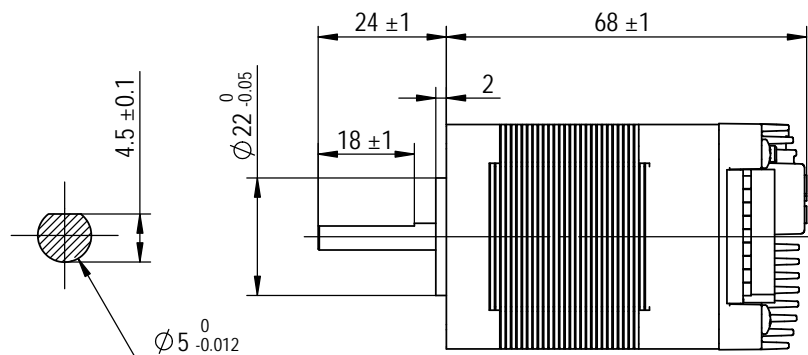
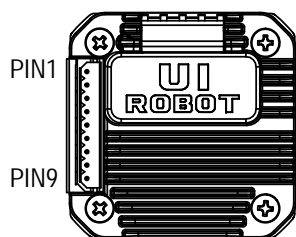
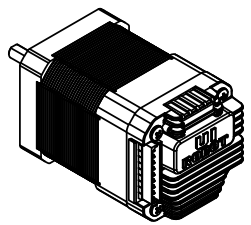


RoHS
COMPLIANT

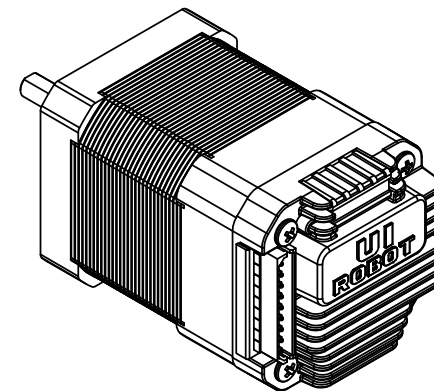
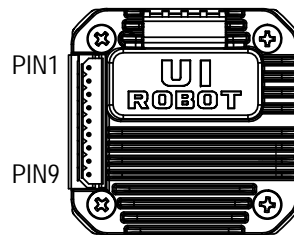
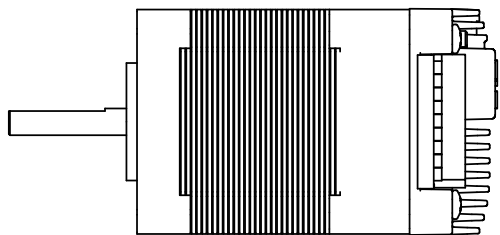


Weight: 418g
Dimensions Unit=mm

STEP ANGLE	1.8°±5%/full step	NUMBER OF PHASE	2	MATERIAL			UIROBOT
RATED CURRENT	1.68 A	WEIGHT	418g				
ROTOR INERTIA	75 g.cm ²	AXIAL-FORCE	Fa=10 N Max				
SOURCE VOLTAGE	24 VDC	RADIAL-FORCE	Fr=28 N Max	STAGE MARK	WEIGHT	SCALE	MODEL NUMBER
HOLDING TORQUE	0.43 N.m				418g	1:1	UIM4247CM
OPERATION AMBIENT	Ambient temperature: -20...+50°C , humidity Max.85% (No condensation)			FIRST ANGLE PROJECTION		DWG NO.	
STORAGE AMBIENT	Ambient temperature: -20...+85°C , humidity Max.85% (No condensation)			SHEET 1 OF 2		EDITION	



RoHS
COMPLIANT



Weight: 418g
Dimensions Unit=mm

STEP ANGLE	1.8°±5%/full step	NUMBER OF PHASE	2	MATERIAL			UIROBOT
RATED CURRENT	1.68 A	WEIGHT	418g				
ROTOR INERTIA	75 g.cm ²	AXIAL-FORCE	Fa=10 N Max				
SOURCE VOLTAGE	24 VDC	RADIAL-FORCE	Fr=28 N Max	STAGE MARK	WEIGHT	SCALE	MODEL NUMBER
HOLDING TORQUE	0.43 N.m				418g	1:1	UIM4247CM
OPERATION AMBIENT	Ambient temperature: -20...+50°C , humidity Max.85% (No condensation)			FIRST ANGLE PROJECTION			DWG NO.
STORAGE AMBIENT	Ambient temperature: -20...+85°C , humidity Max.85% (No condensation)			SHEET 2 OF 2			EDITION