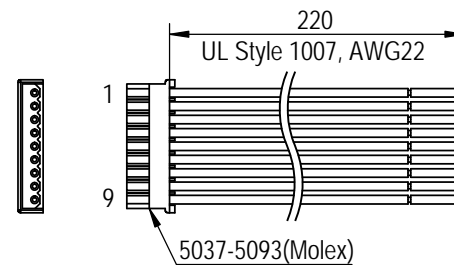
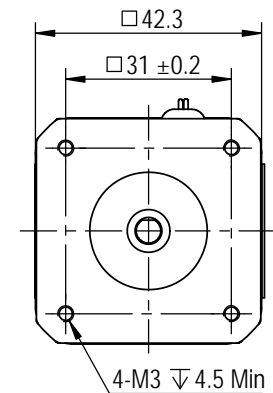
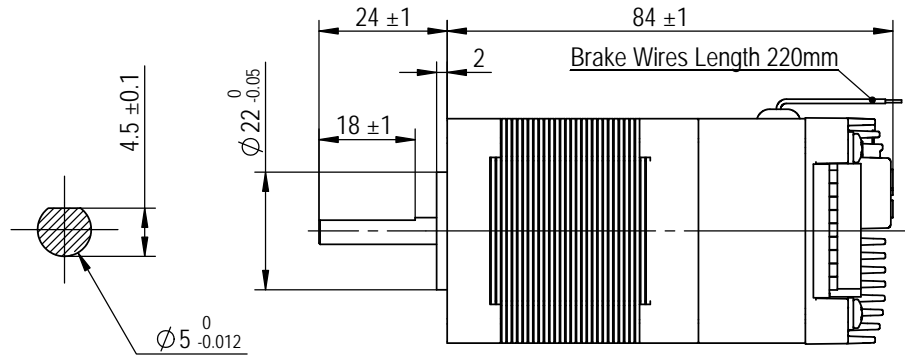
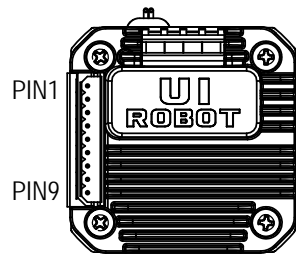


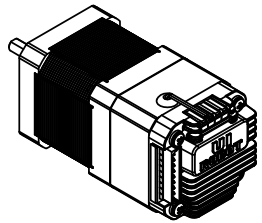
RoHS  
COMPLIANT



Weight: 510g

Dimensions Unit=mm

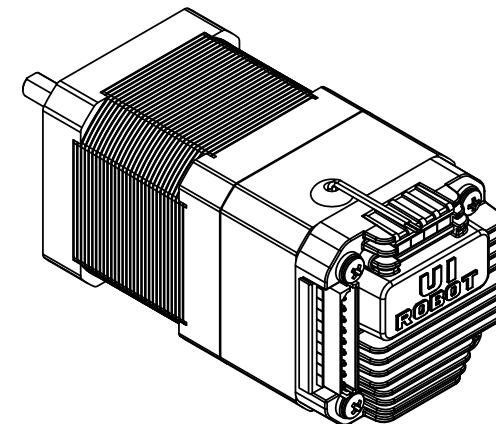
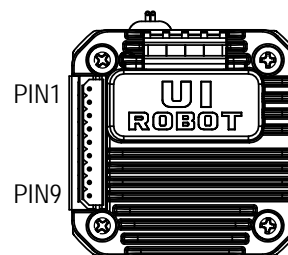
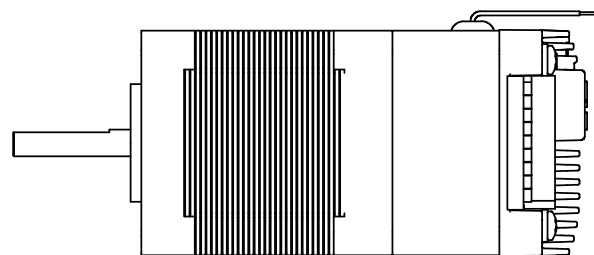
STEP ANGLE	1.8°±5%/full step	NUMBER OF PHASE	2	MATERIAL			<b>UIROBOT</b>
RATED CURRENT	1.68 A	WEIGHT	510g				
ROTOR INERTIA	75 g.cm <sup>2</sup>	AXIAL-FORCE	Fa=10 N Max				
SOURCE VOLTAGE	24 VDC	RADIAL-FORCE	Fr=28 N Max	STAGE MARK	WEIGHT	SCALE	MODEL NUMBER
HOLDING TORQUE	0.43 N.m				510g	1:1	<b>UIM4247CMB</b>
OPERATION AMBIENT	Ambient temperature: -20...+50°C , humidity Max.85% (No condensation)			FIRST ANGLE PROJECTION			DWG NO.
STORAGE AMBIENT	Ambient temperature: -20...+85°C , humidity Max.85% (No condensation)			SHEET	1 OF 2		EDITION



RoHS  
COMPLIANT



A



B

Weight: 510g

Dimensions Unit=mm

STEP ANGLE	1.8°±5%/full step	NUMBER OF PHASE	2	MATERIAL			<b>UIROBOT</b>
RATED CURRENT	1.68 A	WEIGHT	510g				
ROTOR INERTIA	75 g.cm <sup>2</sup>	AXIAL-FORCE	Fa=10 N Max				
SOURCE VOLTAGE	24 VDC	RADIAL-FORCE	Fr=28 N Max	STAGE MARK	WEIGHT	SCALE	MODEL NUMBER
HOLDING TORQUE	0.43 N.m				510g	1:1	<b>UIM4247CMB</b>
OPERATION AMBIENT	Ambient temperature: -20...+50°c , humidity Max.85% (No condensation)			FIRST ANGLE PROJECTION			DWG NO.
STORAGE AMBIENT	Ambient temperature: -20...+85°c , humidity Max.85% (No condensation)			SHEET	2 OF 2		EDITION

1

2

3

4