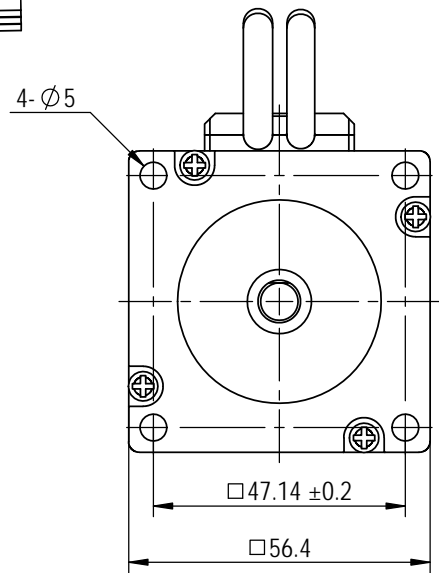
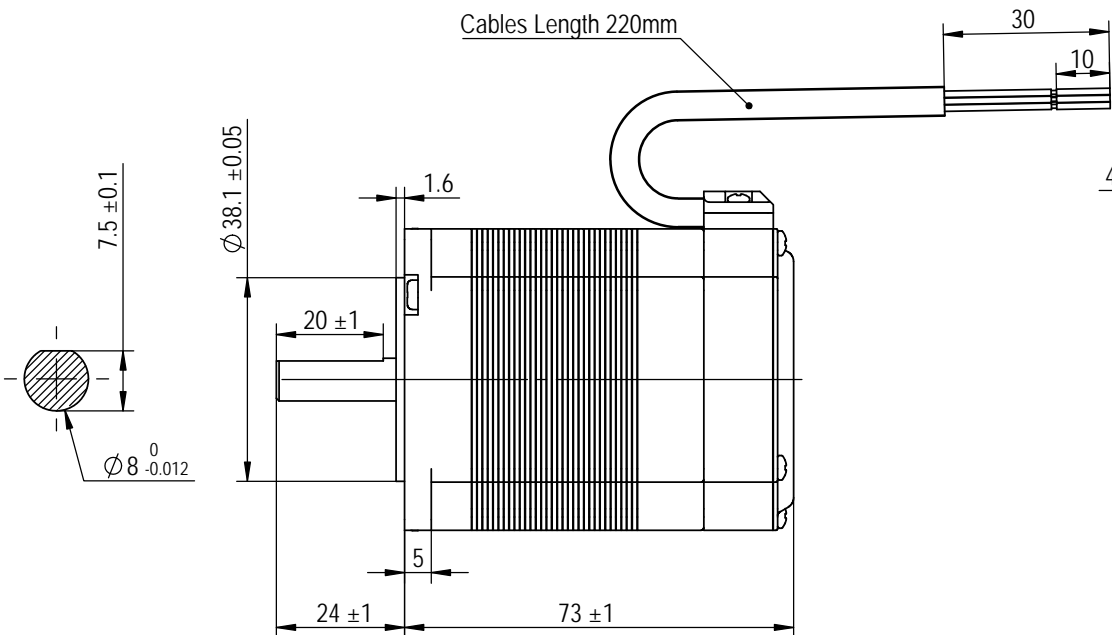
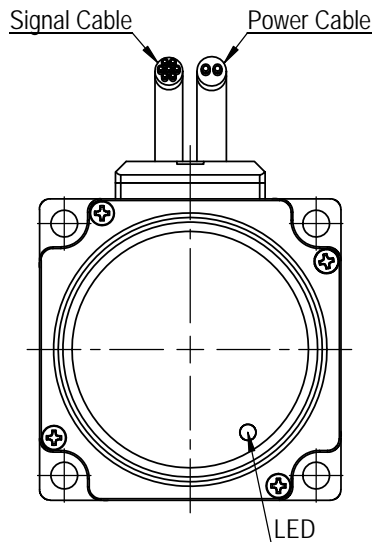
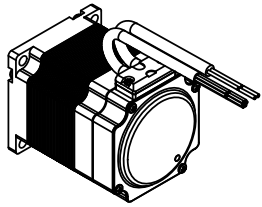


RoHS
COMPLIANT



Weight: 810g
Dimensions Unit=mm

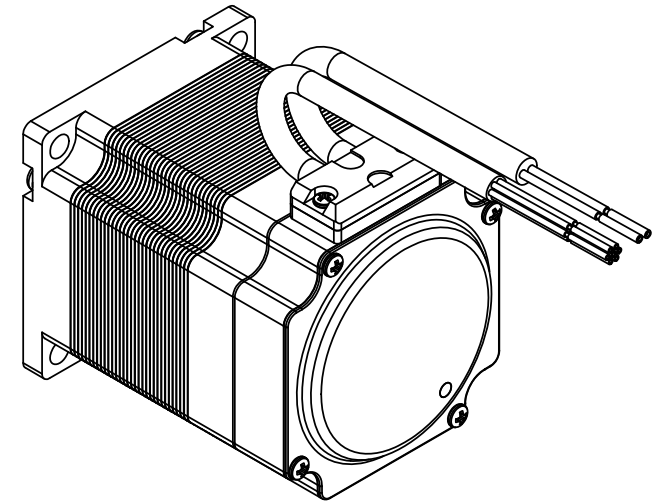
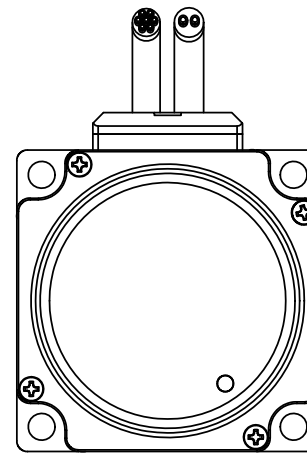
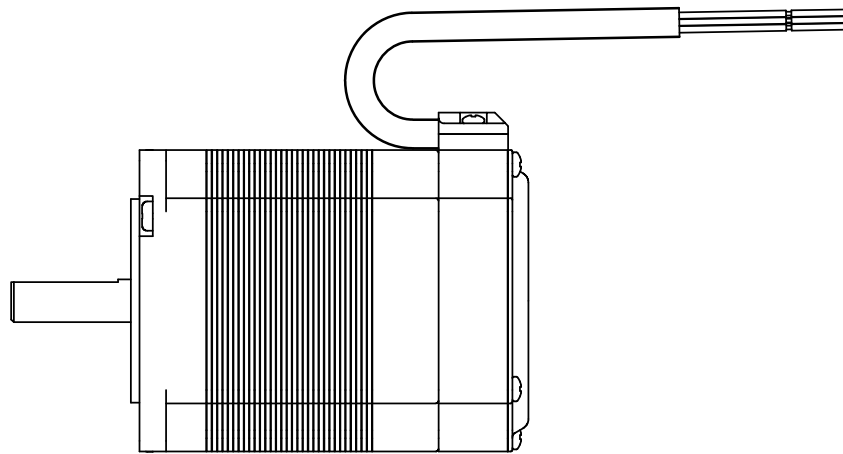
| | | | | | | | |
|-------------------|---|-----------------|-------------|------------------------|--------|-------|------------------|
| STEP ANGLE | 1.8°±5%/full step | NUMBER OF PHASE | 2 | MATERIAL | | | UIROBOT |
| RATED CURRENT | 2.8 A | WEIGHT | 810g | | | | |
| ROTOR INERTIA | 300 g.cm ² | AXIAL-FORCE | Fa=15 N Max | | | | |
| SOURCE VOLTAGE | 24 VDC | RADIAL-FORCE | Fr=75 N Max | STAGE MARK | WEIGHT | SCALE | MODEL NUMBER |
| HOLDING TORQUE | 1.26 N.m | | | | 810g | 1:1 | UIM5756CM |
| OPERATION AMBIENT | Ambient temperature: -20...+50°c , humidity Max.85% (No condensation) | | | FIRST ANGLE PROJECTION | | | DWG NO. |
| STORAGE AMBIENT | Ambient temperature: -20...+85°c , humidity Max.85% (No condensation) | | | SHEET | 1 OF 2 | | EDITION |



RoHS
COMPLIANT



A



B

Weight: 810g

Dimensions Unit=mm

| | | | | | | | |
|-------------------|---|-----------------|-------------|------------------------|--------|-------|------------------|
| STEP ANGLE | 1.8°±5%/full step | NUMBER OF PHASE | 2 | MATERIAL | | | UIROBOT |
| RATED CURRENT | 2.8 A | WEIGHT | 810g | | | | |
| ROTOR INERTIA | 300 g.cm ² | AXIAL-FORCE | Fa=15 N Max | | | | |
| SOURCE VOLTAGE | 24 VDC | RADIAL-FORCE | Fr=75 N Max | STAGE MARK | WEIGHT | SCALE | MODEL NUMBER |
| HOLDING TORQUE | 1.26 N.m | | | | 810g | 1:1 | UIM5756CM |
| OPERATION AMBIENT | Ambient temperature: -20...+50°C , humidity Max.85% (No condensation) | | | FIRST ANGLE PROJECTION | | | DWG NO. |
| STORAGE AMBIENT | Ambient temperature: -20...+85°C , humidity Max.85% (No condensation) | | | SHEET | 2 OF 2 | | EDITION |

1

2

3

4