

A

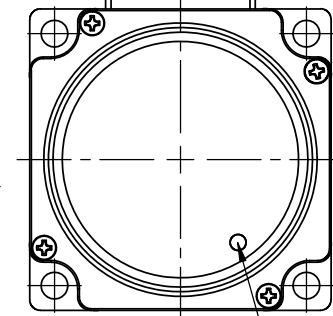
Signal Cable Power Cable

Cables Length 220mm

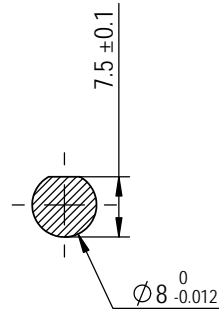
30

10

4-Ø5



LED



Ø 38.1 ± 0.05

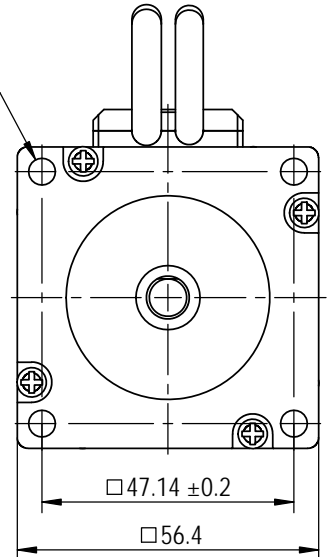
1.6

20 ± 1

5

24 ± 1

91 ± 1



□ 47.14 ± 0.2

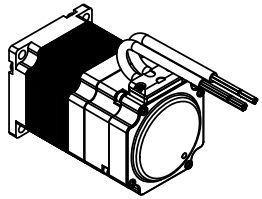
□ 56.4

B

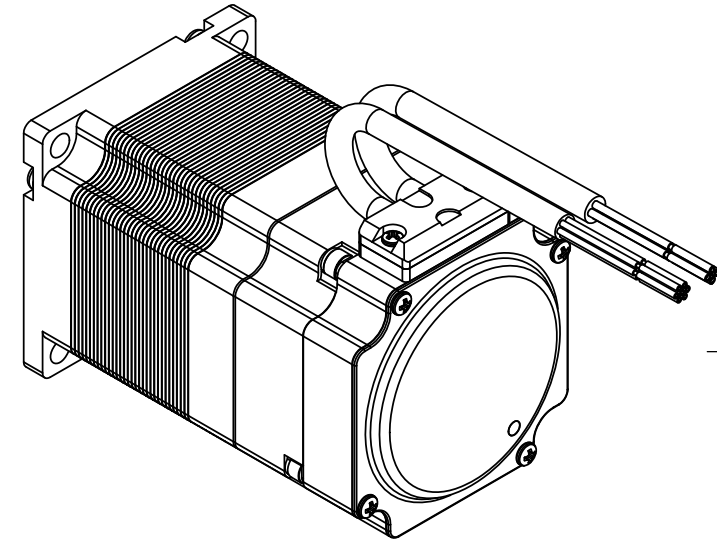
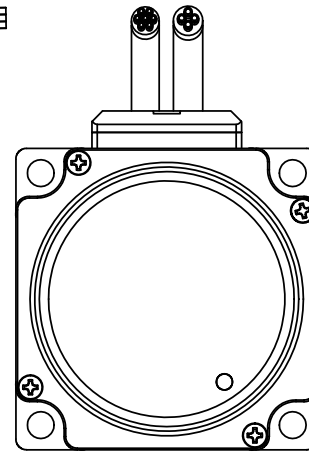
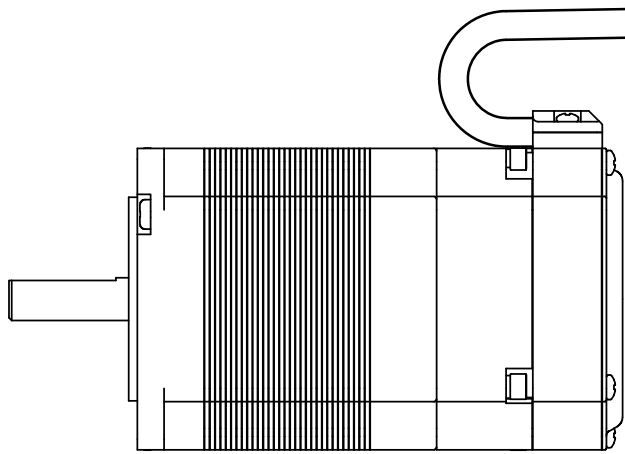
Weight: 990g

Dimensions Unit=mm

STEP ANGLE	1.8°±5%/full step	NUMBER OF PHASE	2	MATERIAL			UIROBOT
RATED CURRENT	2.8 A	WEIGHT	990g				
ROTOR INERTIA	300 g.cm ²	AXIAL-FORCE	Fa=15 N Max				
SOURCE VOLTAGE	24 VDC	RADIAL-FORCE	Fr=75 N Max	STAGE MARK	WEIGHT	SCALE	MODEL NUMBER
HOLDING TORQUE	1.26 N.m				990g	1:1	UIM5756CMB
OPERATION AMBIENT	Ambient temperature: -20...+50°C , humidity Max.85% (No condensation)			FIRST ANGLE PROJECTION			DWG NO.
STORAGE AMBIENT	Ambient temperature: -20...+85°C , humidity Max.85% (No condensation)			SHEET	1 OF 2		EDITION



RoHS
COMPLIANT



Weight: 990g

Dimensions Unit=mm

STEP ANGLE	1.8°±5%/full step	NUMBER OF PHASE	2	MATERIAL			UIROBOT
RATED CURRENT	2.8 A	WEIGHT	990g				
ROTOR INERTIA	300 g.cm ²	AXIAL-FORCE	Fa=15 N Max				
SOURCE VOLTAGE	24 VDC	RADIAL-FORCE	Fr=75 N Max	STAGE MARK	WEIGHT	SCALE	MODEL NUMBER
HOLDING TORQUE	1.26 N.m				990g	1:1	UIM5756CMB
OPERATION AMBIENT	Ambient temperature: -20...+50°C , humidity Max.85% (No condensation)			FIRST ANGLE PROJECTION			DWG NO.
STORAGE AMBIENT	Ambient temperature: -20...+85°C , humidity Max.85% (No condensation)			SHEET 2 OF 2			EDITION