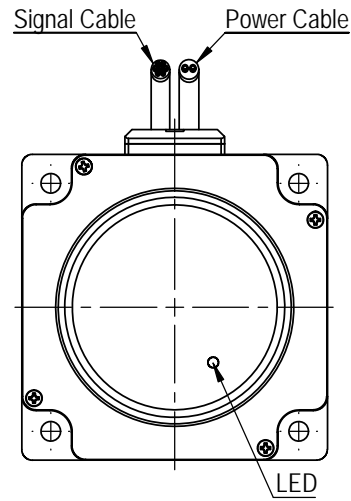
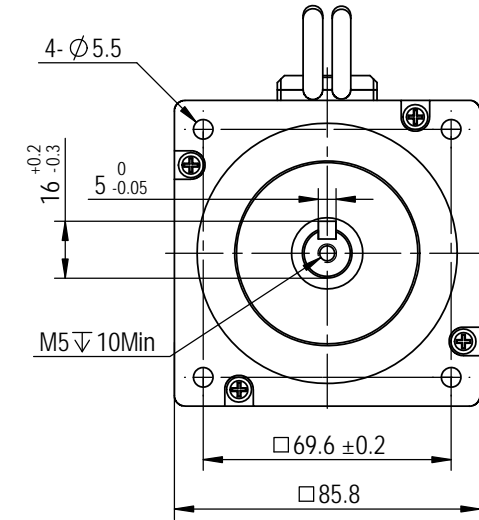
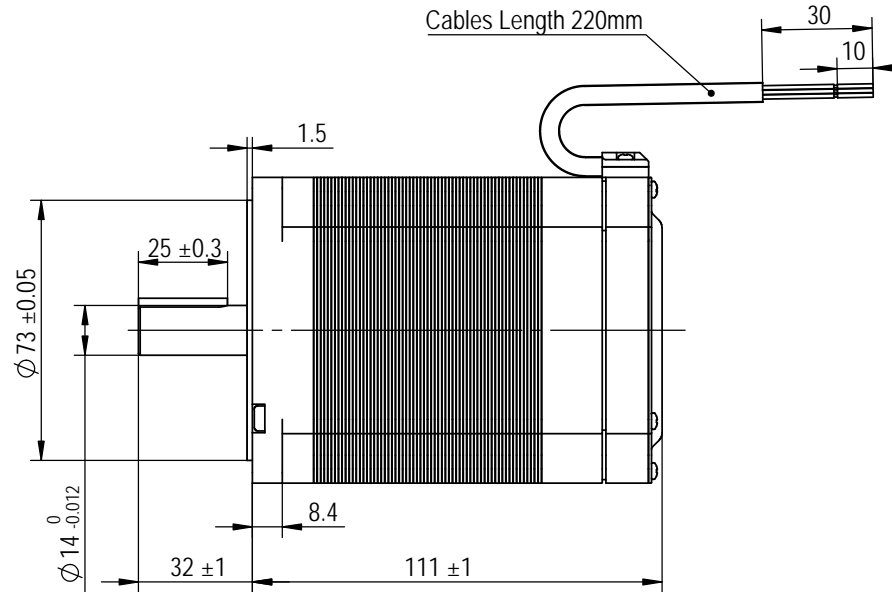


A



Cables Length 220mm

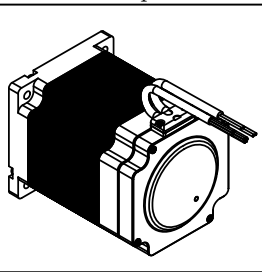


B

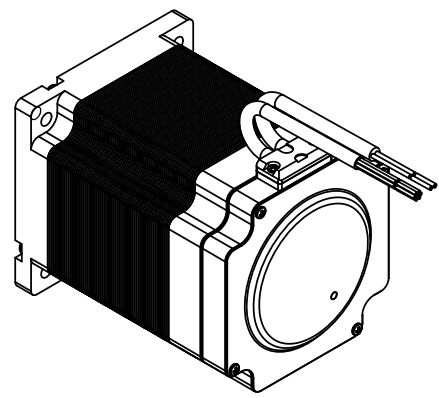
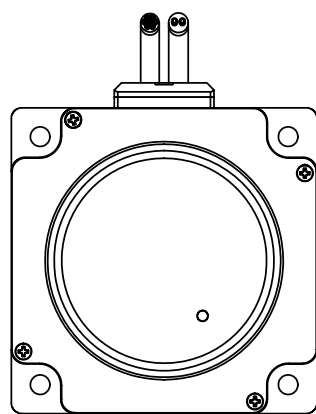
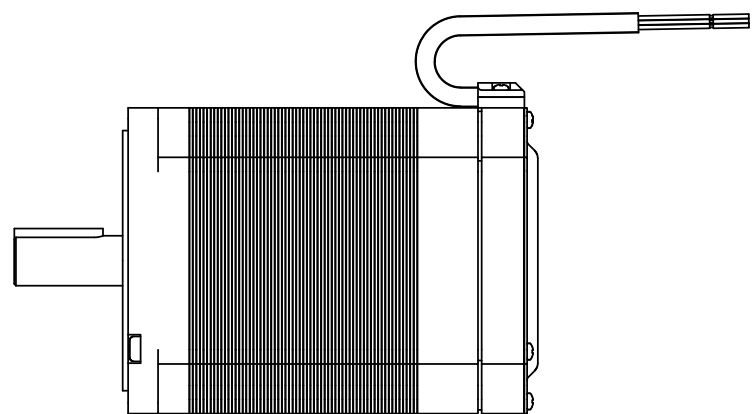
Weight: 3.2Kg

Dimensions Unit=mm

STEP ANGLE	1.8°±5%/full step	NUMBER OF PHASE	2	MATERIAL			<b>UIROBOT</b>
RATED CURRENT	6.0 A	WEIGHT	3.2Kg				
ROTOR INERTIA	1900 g.cm <sup>2</sup>	AXIAL-FORCE	Fa=36 N Max				
SOURCE VOLTAGE	24 VDC	RADIAL-FORCE	Fr=130 N Max	STAGE MARK	WEIGHT	SCALE	MODEL NUMBER
HOLDING TORQUE	6.5Min N.m REF				3.2Kg	2:3	<b>UIM8696CM</b>
OPERATION AMBIENT	Ambient temperature: -20...+50°C , humidity Max.85% (No condensation)			FIRST ANGLE PROJECTION			DWG NO.
STORAGE AMBIENT	Ambient temperature: -20...+85°C , humidity Max.85% (No condensation)			SHEET	1 OF 2		EDITION



RoHS  
COMPLIANT



Weight: 3.2Kg  
Dimensions Unit=mm

STEP ANGLE	1.8°±5%/full step	NUMBER OF PHASE	2	MATERIAL			<b>UIROBOT</b>
RATED CURRENT	6.0 A	WEIGHT	3.2Kg				
ROTOR INERTIA	1900 g.cm <sup>2</sup>	AXIAL-FORCE	Fa=36 N Max				
SOURCE VOLTAGE	24 VDC	RADIAL-FORCE	Fr=130 N Max	STAGE MARK	WEIGHT	SCALE	MODEL NUMBER
HOLDING TORQUE	6.5Min N.m REF				3.2Kg	2:3	<b>UIM8696CM</b>
OPERATION AMBIENT	Ambient temperature: -20...+50°c , humidity Max.85% (No condensation)			FIRST ANGLE PROJECTION		DWG NO.	
STORAGE AMBIENT	Ambient temperature: -20...+85°c , humidity Max.85% (No condensation)			SHEET 2 OF 2		EDITION	