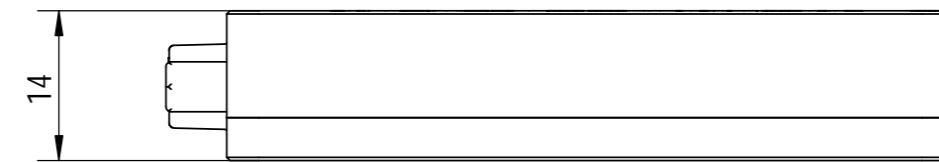
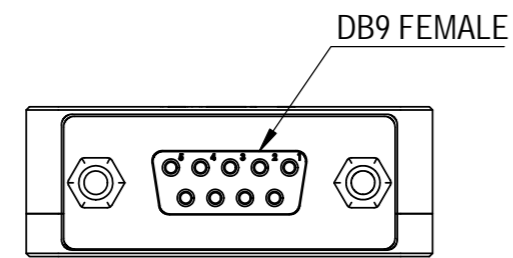
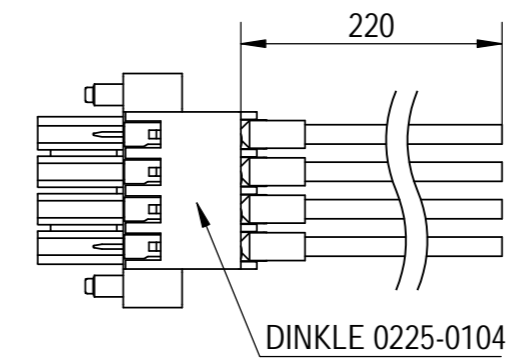
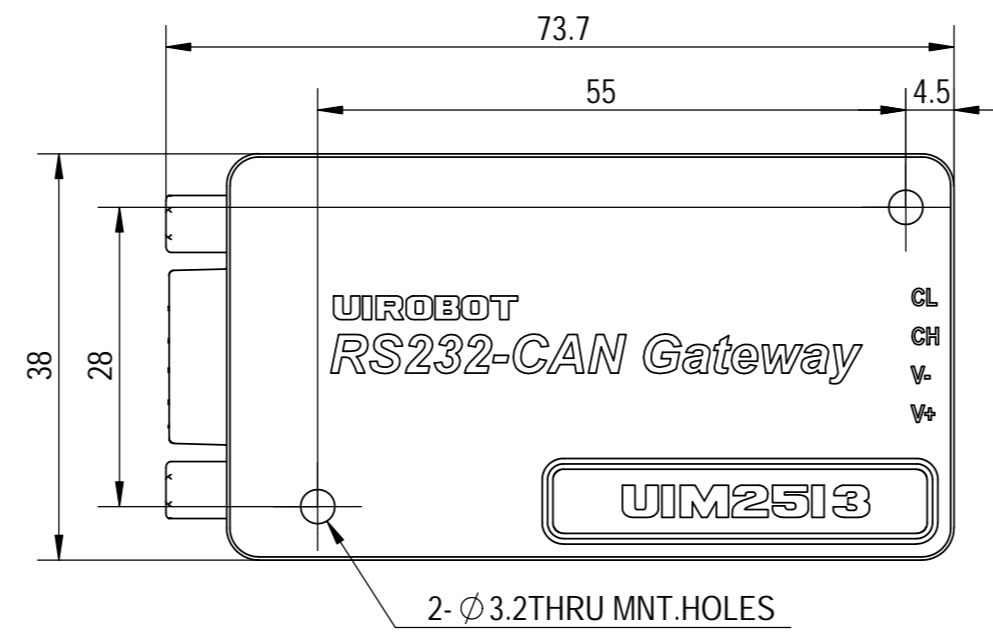
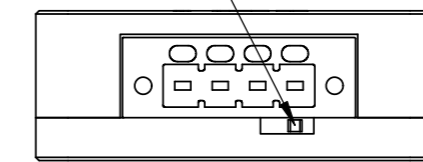


RoHS
COMPLIANT



ENA=Switch to Left ; OFF=Switch to Right
Terminal Resistor Switch



Weight: 70g

Dimensions Unit=mm

MATERIAL			UIROBOT	
STAGE MARK	WEIGHT	SCALE	MODEL NUMBER	
	70g	1:1	UIM2513	
FIRST ANGLE PROJECTION			DWG NO.	
SHEET 1 OF 1			EDITION	