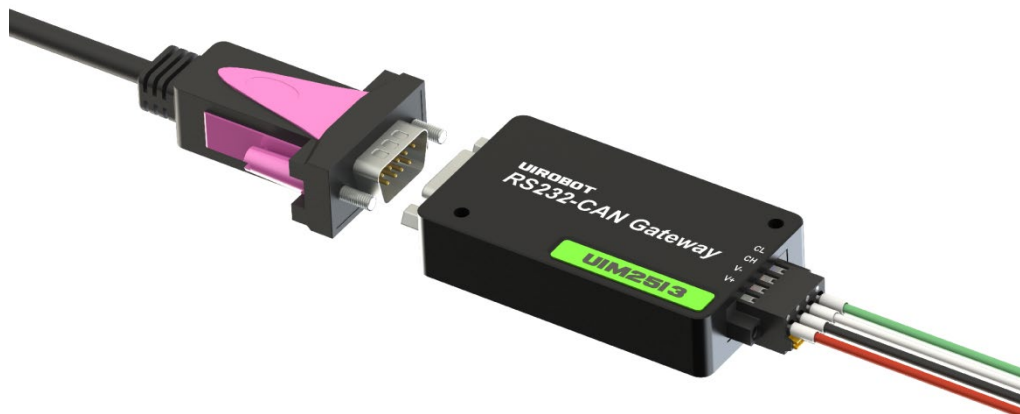


UIROBOT

User Manual

UIM2513
Industrial RS232 - CAN Gateway



UIM2513

[Intellectual Property Protection Statement]

- UIROBOT products meet the specification contained in their particular UIROBOT user manual;
- UIROBOT is willing to work with the customer who is concerned about intellectual property protection;
- Any attempt to destroy the code protection function of UIROBOT products may be regarded as a violation of intellectual property protection laws and regulations. If this behavior leads to the acquisition of software or other results protected by intellectual property rights without UIROBOT's authorization, UIROBOT has the right to file a lawsuit to stop this behavior in accordance with the Act.

[Disclaimer]

Information contained in this publication regarding device applications and the like is provided only for your convenience and may be superseded by updates. It is your responsibility to ensure that your application meets with your specifications. UIROBOT MAKES NO REPRESENTATIONS OR WARRANTIES OF ANY KIND WHETHER EXPRESS OR IMPLIED, WRITTEN OR ORAL, STATUTORY OR OTHERWISE, RELATED TO THE INFORMATION, INCLUDING BUT NOT LIMITED TO ITS CONDITION, QUALITY, PERFORMANCE, MERCHANTABILITY OR FITNESS FOR PURPOSE. UIROBOT disclaims all liability arising from this information and its use. Use of UIROBOT Products in life support and/or safety applications is entirely at the buyer's risk, and the buyer agrees to defend, indemnify and hold harmless UIROBOT from any and all damages, claims, suits, or expenses resulting from such use. No licenses are conveyed, implicitly or otherwise, under any UIROBOT intellectual property rights.

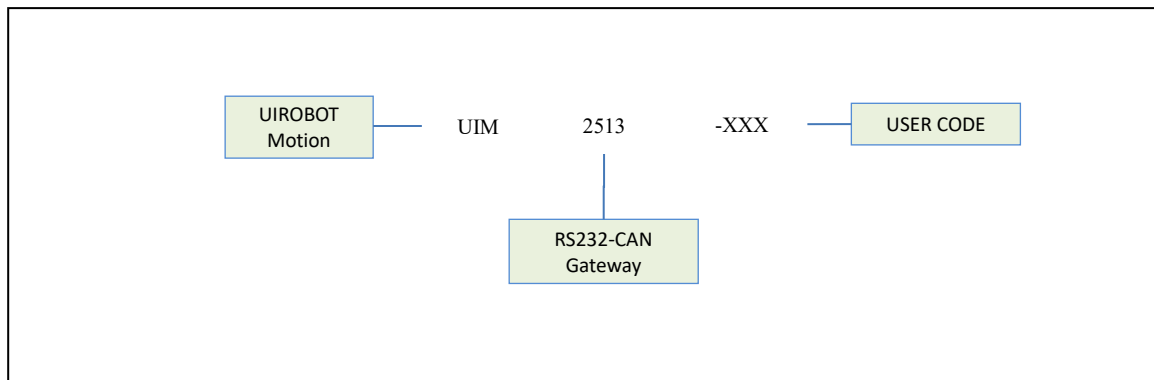
[Trademark and Design Statement]

- UIROBOT's name and logo is a registered trademark of UIROBOT in China and other countries or regions.
- The appearance designs of UIROBOT's products have applied for patent protection.

[Contact information]

United Intelligence Robotics (Zhejiang)Co.,Ltd.
Addr: Bldg B3, Innovation Park, Pinghu, Jiaxing City, Zhejiang Province, China 314200
Tel: (086)0573-85235951
Email: support@uirobot-zj.com
Web: www.uirobot.com

UIM2513 RS232-CAN Gateway Model



Revision History

Manual version	Revision date	Change
V1.0	November 1 st , 2023	initial version

UIM2513 Industrial RS232 - CAN Gateway

UIM2513 is an industrial serial port (RS232 protocol) to CAN gateway. Users can send instructions through UIM2513 to control UIM series servo stepper, AC servo motion controller and I/O controller products.

UIROBOT provides complete SDK, dll, lib, so, and sample codes based on C++, C#, etc., for Linux, Windows 32 bit and 64 bit.

Control System

- Robust DSP hardware
- Fault tolerance, fail safe user interface
- Provide complete SDK, lib and dll
- Provide C++, C# sample codes

RS232 Serial Communication

- RS232 protocol
- DB9 Female interface
- 1500V photoelectric isolation

CAN Networking

- Active CAN 2.0, 1 Mbps Max.
- 1500V photoelectric isolation
- Support 3 kinds of CAN IDs: Node ID, Group ID and Global ID

Other







- Wide voltage input 12~48VDC
- Aluminum alloy casing, sturdy and durable for easy heat dissipation

Contents

Safety.....	5
Maintenance	5
Hardware	6
Quick Start	7
Specifications	9
1.0 Protocol	10
1.1 Instruction and Reply (ACK).....	10
1.2 Mnemonic.....	10
1.3 Error Report.....	11
2.0 Instruction Set	12
2.1 PP[i] Protocol Parameter	13
2.2 ML controller model and firmware version (Model)	14
2.3 SN Serial Number.....	15
2.4 ER[i] Error Report	16
2.5 SY[i] System Operation.....	17
Appendix-1 Dimensions.....	18
Appendix-2 RTU CRC16 Source Code.....	19

Safety

To prevent personal injury and property damage, please be sure to pay attention to the following before use.

	Precautions	Consequences of neglect
	Do not use it in humid, corrosive, flammable gas environments or places near flammable substances	Fire or malfunction
	Do not use the wire when it is soaked in oil/water	Fire or malfunction
	Do not frequently power on / off	Malfunction
	Never modify, disassemble or repair by yourself	Fire, malfunction
	Power supply voltage must meet the product requirements	Malfunction
	Cut off the power when not in use for a long time	Fire , malfunction

Maintenance

Please perform regular maintenance and inspection on the controller for safe use. Please pay attention to the following during maintenance and inspection:

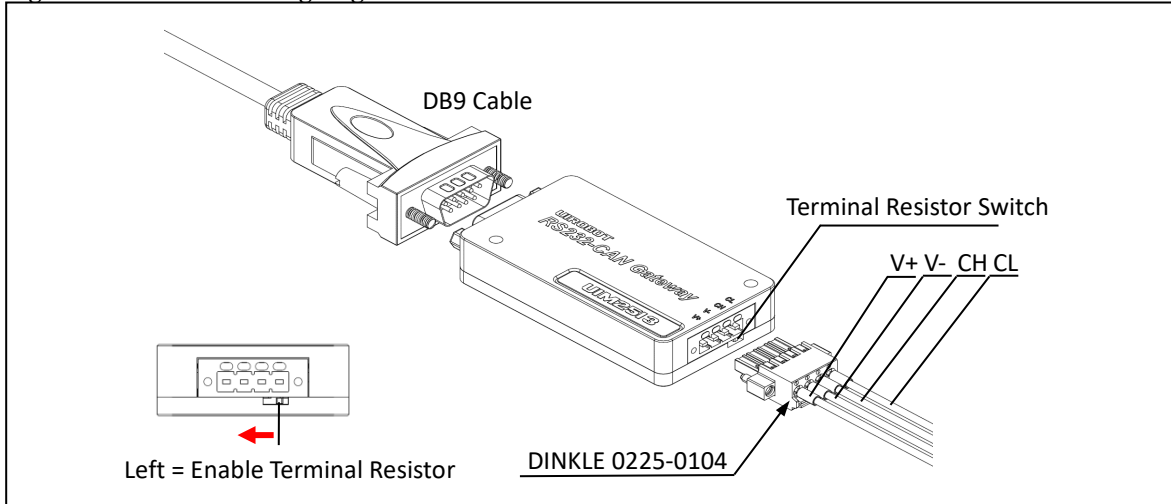
- ① When performing an insulation resistance test, be sure to disconnect all connections, otherwise malfunction may result.
- ② Do not use gasoline, thinner, alcohol, acidic and alkaline cleaning agents to avoid discoloration or damage to the casing.

Daily inspections and periodic inspections should be carried out according to the following items.

Type	Period	Check Item
Daily Inspection	Every day	<ul style="list-style-type: none">• Confirm the operating temperature and humidity• No foreign matter entering• Abnormal vibration, sound and odor• Abnormal power supply voltage• Damaged wiring parts
Periodic Inspection	1 year	<ul style="list-style-type: none">• No looseness in the fastening parts• Broken terminal blocks and loose fastening parts

Hardware

Figure 0-1: UIM2513 wiring diagram



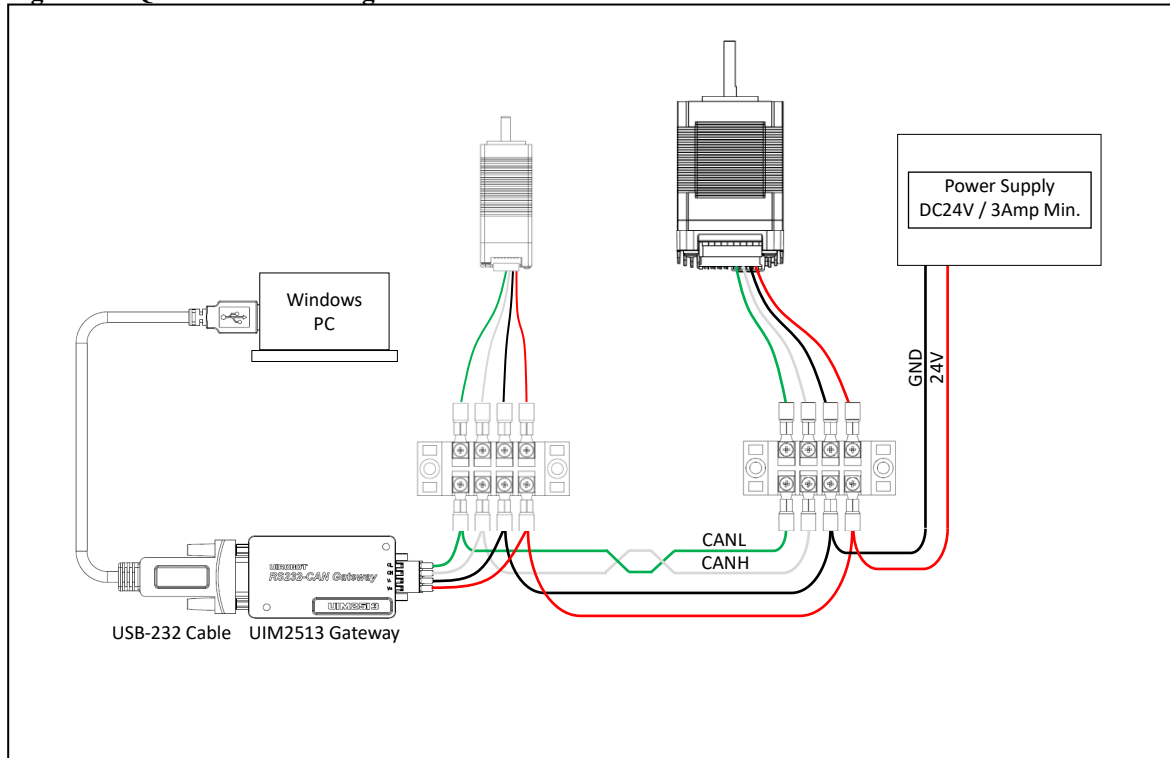
label	illustrate
V+	Supply voltage positive, 12 – 48 VDC (red)
V-	Supply voltage negative, 0 V (black)
CH	CANH (white)
CL	CANL (green)

Quick Start

The following explains how to quickly build and run a motor system consisting of 2 servo stepper motors equipped with UIM342 controllers and 1 UIM2513 gateway.

1) Wiring the system as shown below. Double check the wiring before turn on the power.

Figure 0-2: Quick connection diagram

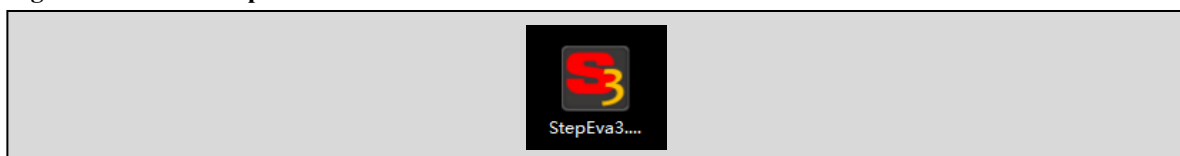


WARNING

- Avoid using star connections. When the CAN cable length exceeds 20 meters, dedicated CAN cables should be used. The length of branch cable to each node should not exceed 20 cm.
- UIM2513 has a built-in terminal resistor, which can be activated by the toggle switch. It is recommended to connect a 120-ohm terminal resistor to the other end of the CAN cable.
- **Strictly avoid hot-plugging while the power is on.** Hot-plugging may lead to ground loss (i.e. the power supply V+ is connected while V- is disconnected). In such instances, power V+ will flow into other UIM devices via the CAN cable, causing the burnout of multiple UIM devices.
- Connect all UIM devices to a common ground. Activating a high-power device can raise the voltage on one ground significantly. Without a common ground, this elevated voltage may flow via the CAN cable to other grounds of other devices, risking the burnout of multiple devices.

2) Download and click to run the Windows based control panel “StepEva3”.

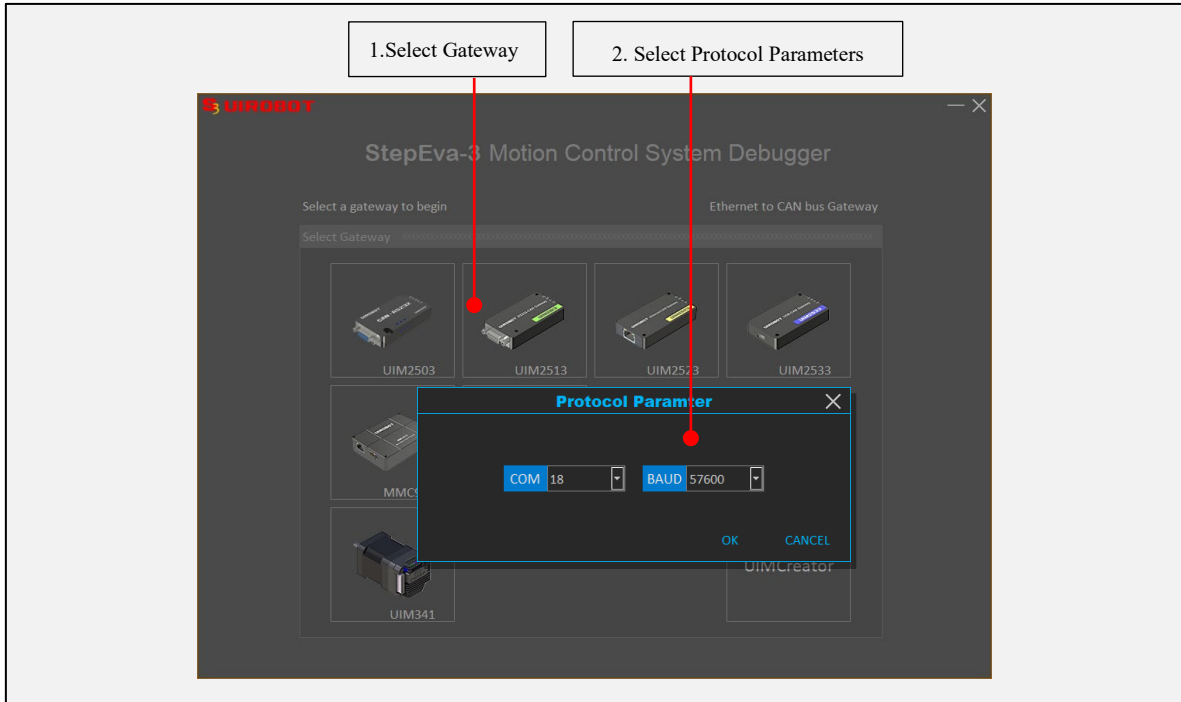
Figure 0-3: Icon of StepEva3



UIM2513

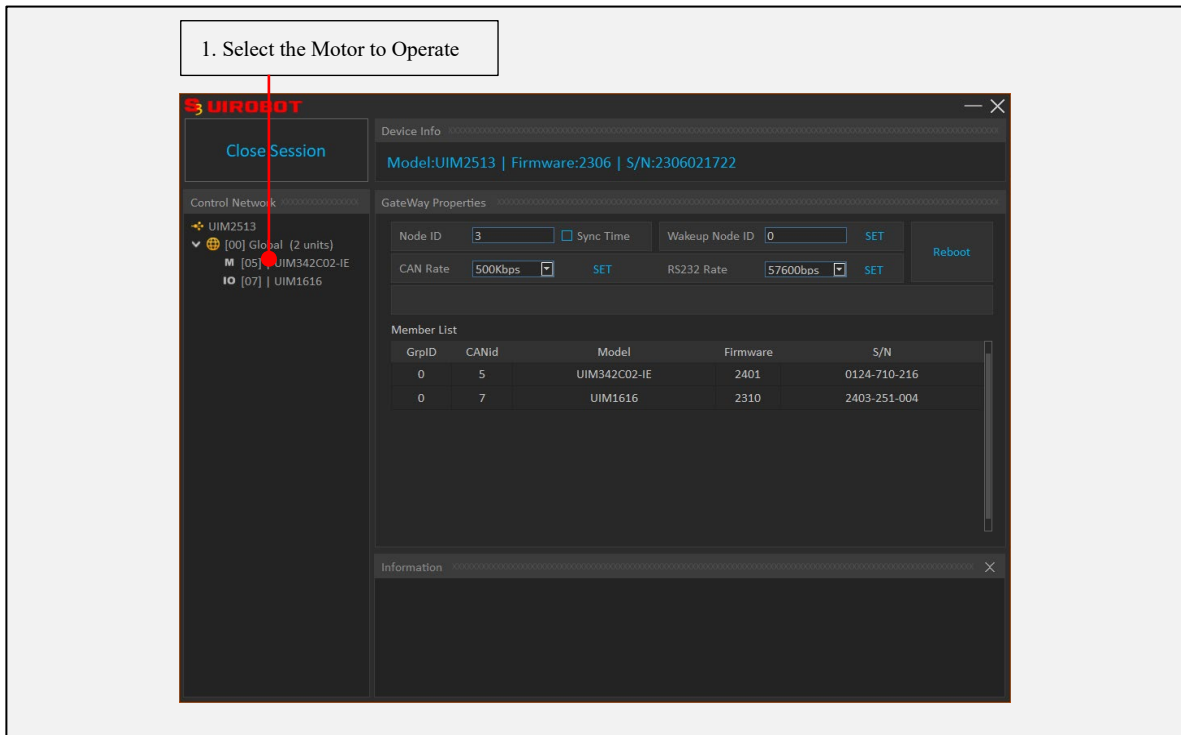
3) Click to select the UIM2513 Gateway.

Figure 0-4: Gateway selection



4) Click to select the device to operate from the device list on the left in Figure 0-5.

Figure 0-5: Gateway information



5) Refer to the corresponding User Manual of the selected device to operate.

Specifications

Absolute Maximum Ratings

Ambient temperature under bias.....-40°C to 85°C
Storage temperature -65°C to +150°C
Voltage on V+ with respect to V- -0.3V to 50V

Stresses above those listed under “Absolute Maximum Ratings” may cause permanent damage to the device. This is a stress rating only and functional operation of the device at those or any other conditions above those indicated in the operational listings of this specification is not implied. Exposure to maximum rating conditions for extended periods may affect device reliability.

Operating Conditions (at ambient temperature 25°C)

Parameter	Min	Max	Units
Supply voltage (DC)	12	48	Volt
Input Current	0	100	mA

Operating Environment

Cooling	Free Air
Environment	Avoid dust, oil mist and corrosive gases
Operating temperature	-40 °C ~85 °C
Humidity	<80%RH, no condensation, no frost
Vibration	3GMax
Storage	-65 °C ~ 150 °C

Communication Interface

CAN	Active CAN 2.0
CAN Physical	2 wires, CANH, CANL, twisted pair
CAN Driver	<ul style="list-style-type: none">• Max. 1 Mbps• Meets ISO-11898 standard physical layer requirements.• 1500V Isolated• Differential bus
User Interface	RS232
RS232 Physical	3 wires, DB9 Female Connector

Other

Dimensions	74mm x 38mm x 14mm
weight	0.15 Kg

1.0 Protocol

This section introduces UIM2513's Instruction Set, Reply (ACK), Error Reporting, and Real-time Notification.

1.1 Instruction and Reply (ACK)

UIM2513 and the user controller exchange information using UIMessages, as shown in Figure 1-1. The length of a UIMessage is fixed to 16 bytes.

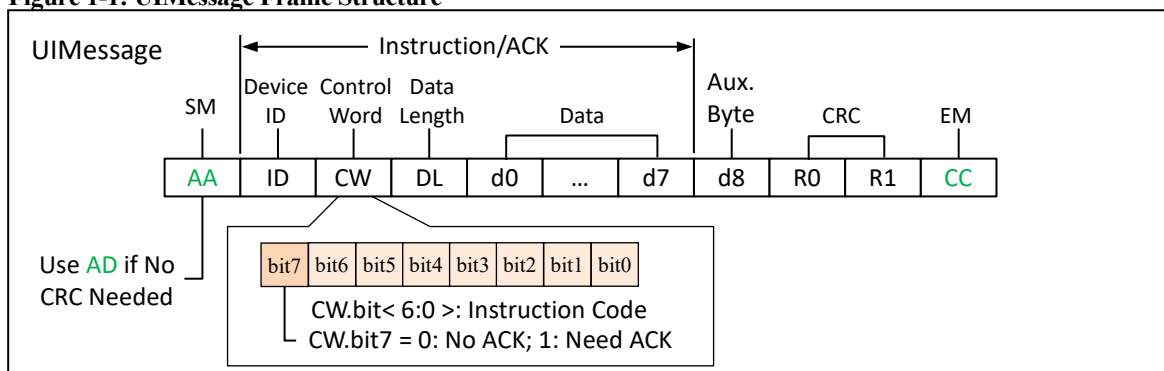
Instruction is the functional message from user controller to UIM devices.

ACK is the reply message from UIM devices, after receiving an instruction.

For "Set" instructions, the ACK message is typically a repeat of the instruction.

For "Get" instructions, the ACK message provides the data being queried.

Figure 1-1: UIMessage Frame Structure



SM Start of Message. If need CRC, using 0xAA, else using 0xAD instead.

ID UIM Devices' ID (1 byte), could be one of the 4 types listed below:

- 1) UIM342's Node ID, configurable via instruction,
- 2) Group ID of UIM devices, configurable via instruction,
- 3) Global ID = 0, fixed, or
- 4) UIM2513's Node ID = 3, fixed.

CW Control Word (1 byte)

- 1) CW.bit <6:0> is the function code (0x00...0x7F).
- 2) For instruction: if CW.bit7=1, UIM will ACK, if CW.bit7=0, UIM will not ACK.
- 3) For ACK: CW.bit7 = 0.

DL Valid number of bytes of data (1 byte)

d0...d7 Data bytes, low byte first.

d8 Auxiliary byte, don't care

R1:R0 RTU CRC16, range covers AA...d8, refer to Appendix- 2 for source code.

EM End of Message; is fixed to 0xCC.

UIM2513 RS232-CAN Gateway

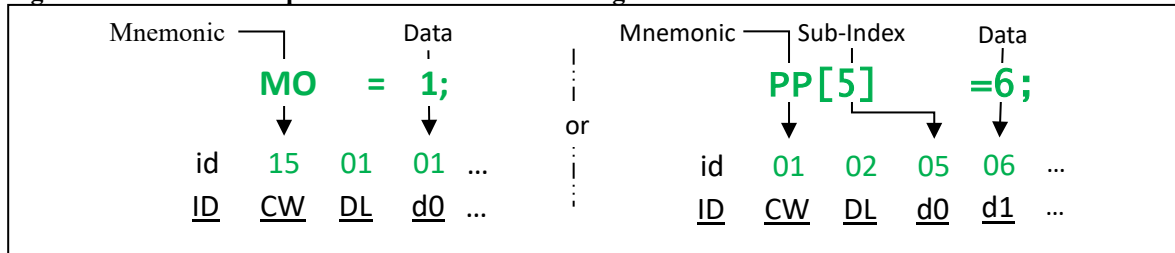
1.2 Mnemonic

For user convenience, UIM products provide a set of mnemonics to represent function codes. For example:

Mnemonic	CW	Function
MO	0x15	Turn on/off motor drive

The relation between mnemonic expressions and instructions is shown below:

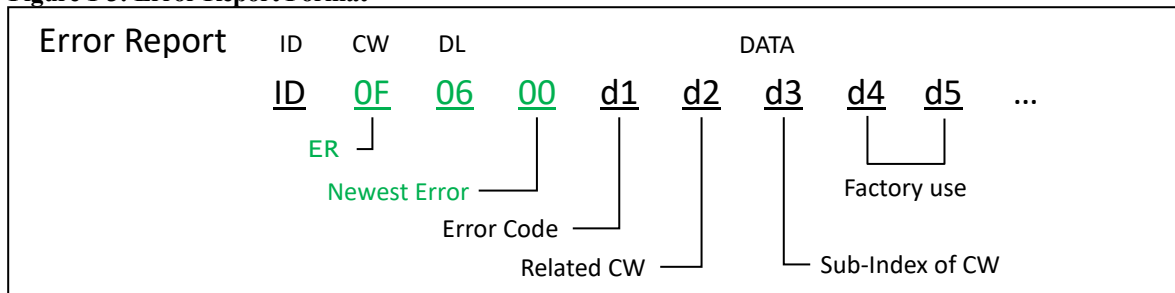
Figure 1-2: Mnemonic Expressions & Instruction Messages



1.3 Error Report

When the UIM device receives a wrong instruction, it will reply an error message instead of executing the instruction. Meanwhile, users can use ER[*i*] to get at most 8 historical errors. The format of an error message is listed below:

Figure 1-3: Error Report Format



d1 Error Code;

Error code of UIM2513	Description
0x32	Instruction Syntax error
0x33	Instruction Data error
0x34	Instruction Sub-Index error

d2 CW related to the error;

For example, d2 = SN indicates an error on previous SN instruction.

d3 Sub-Index of the CW related to the error;

For example, d2= PP; d3 = 5 indicates an error on previous PP[5] instruction.

d4, d5 Factory use, don't care.

2.0 Instruction Set

This chapter provides details of instructions for UIM 2513.

Note:

1. Unless otherwise specified, all message bytes are in hex format;
2. The instruction examples all use the SM of 0xAD (i.e., no CRC);
3. This chapter only lists UIM2513 related instructions. Please refer to the relevant user manual for other UIM device's instructions.
4. Abbreviation definitions are listed below:
 - a) INST – Instruction;
 - b) ACK – Acknowledgment / Reply;
 - c) SM – Start of Message;
 - d) EM – End of Message;

UIM2513 RS232-CAN Gateway

2.1 PP[i] Protocol Parameter

Protocol Parameter

CW	Disable ACK	0x01	Request ACK	0x81																																																
DATA	Sub-Index(i)	unsigned 8 bit	Data	unsigned 8 bit																																																
Description	<p>PP[i] Get Protocol Parameters</p> <p>INST data length 1 Data d0 (=i)</p> <p>ACK data length 2 Data d0 (=i), d1</p> <p>PP[i]=N Set Protocol Parameters</p> <p>INST data length 2 Data d0 (=i), d1</p> <p>ACK data length 2 Data d0 (=i), d1</p> <table border="1" style="width: 100%; border-collapse: collapse;"> <thead> <tr> <th style="width: 5%;">i</th> <th style="width: 40%;">Description</th> <th style="width: 55%;">Value (N)</th> </tr> </thead> <tbody> <tr> <td style="text-align: center;">1</td> <td>RS232 baud rate (bps)</td> <td>0: 4.8K 1: 9.6K 2: 19.2K 3: 38.4K 4: 57.6K 5: 115.2K</td> </tr> <tr> <td style="text-align: center;">5</td> <td>CAN bit rate (bps)</td> <td>0: 1000K 1: 800K 2: 500K 3: 250K 4: 125K</td> </tr> <tr> <td style="text-align: center;">7</td> <td>Node ID</td> <td>Get Node ID: UIM2513 ID fixed = 3.</td> </tr> </tbody> </table>				i	Description	Value (N)	1	RS232 baud rate (bps)	0: 4.8K 1: 9.6K 2: 19.2K 3: 38.4K 4: 57.6K 5: 115.2K	5	CAN bit rate (bps)	0: 1000K 1: 800K 2: 500K 3: 250K 4: 125K	7	Node ID	Get Node ID: UIM2513 ID fixed = 3.																																				
i	Description	Value (N)																																																		
1	RS232 baud rate (bps)	0: 4.8K 1: 9.6K 2: 19.2K 3: 38.4K 4: 57.6K 5: 115.2K																																																		
5	CAN bit rate (bps)	0: 1000K 1: 800K 2: 500K 3: 250K 4: 125K																																																		
7	Node ID	Get Node ID: UIM2513 ID fixed = 3.																																																		
Example GET	<table border="1" style="width: 100%; border-collapse: collapse;"> <thead> <tr> <th>INST</th> <th>ID</th> <th>CW</th> <th>DL</th> <th>d0</th> <th>d1</th> <th>d2</th> <th>d3</th> <th>d4</th> <th>d5</th> <th>d6</th> <th>d7</th> </tr> </thead> <tbody> <tr> <td style="text-align: center;"> </td> <td style="text-align: center;">03</td> <td style="text-align: center;">81</td> <td style="text-align: center;">01</td> <td style="text-align: center;">01</td> <td style="text-align: center;">00</td> <td style="text-align: center;">00</td> <td style="text-align: center;">00</td> <td style="text-align: center;">00</td> <td style="text-align: center;">00</td> <td style="text-align: center;">00</td> <td style="text-align: center;">00</td> </tr> </tbody> </table> <p style="color: red;">Sub-Index d0 = 1 (RS232 baud rate).</p> <table border="1" style="width: 100%; border-collapse: collapse;"> <thead> <tr> <th>ACK</th> <th>ID</th> <th>CW</th> <th>DL</th> <th>d0</th> <th>d1</th> <th>d2</th> <th>d3</th> <th>d4</th> <th>d5</th> <th>d6</th> <th>d7</th> </tr> </thead> <tbody> <tr> <td style="text-align: center;"> </td> <td style="text-align: center;">03</td> <td style="text-align: center;">01</td> <td style="text-align: center;">02</td> <td style="text-align: center;">01</td> <td style="text-align: center;">01</td> <td style="text-align: center;">00</td> <td style="text-align: center;">00</td> <td style="text-align: center;">00</td> <td style="text-align: center;">00</td> <td style="text-align: center;">00</td> <td style="text-align: center;">00</td> </tr> </tbody> </table> <p style="color: red;">Sub-Index d0 = 1 (RS232 baud rate); Data d1 = 1 (9600).</p>				INST	ID	CW	DL	d0	d1	d2	d3	d4	d5	d6	d7		03	81	01	01	00	00	00	00	00	00	00	ACK	ID	CW	DL	d0	d1	d2	d3	d4	d5	d6	d7		03	01	02	01	01	00	00	00	00	00	00
INST	ID	CW	DL	d0	d1	d2	d3	d4	d5	d6	d7																																									
	03	81	01	01	00	00	00	00	00	00	00																																									
ACK	ID	CW	DL	d0	d1	d2	d3	d4	d5	d6	d7																																									
	03	01	02	01	01	00	00	00	00	00	00																																									
Example SET	<table border="1" style="width: 100%; border-collapse: collapse;"> <thead> <tr> <th>INST</th> <th>ID</th> <th>CW</th> <th>DL</th> <th>d0</th> <th>d1</th> <th>d2</th> <th>d3</th> <th>d4</th> <th>d5</th> <th>d6</th> <th>d7</th> </tr> </thead> <tbody> <tr> <td style="text-align: center;"> </td> <td style="text-align: center;">03</td> <td style="text-align: center;">81</td> <td style="text-align: center;">02</td> <td style="text-align: center;">05</td> <td style="text-align: center;">02</td> <td style="text-align: center;">00</td> <td style="text-align: center;">00</td> <td style="text-align: center;">00</td> <td style="text-align: center;">00</td> <td style="text-align: center;">00</td> <td style="text-align: center;">00</td> </tr> </tbody> </table> <p style="color: red;">Sub-Index d0 = 5 (CAN bit rate); Data d1 = 2 (SET 500 K).</p> <table border="1" style="width: 100%; border-collapse: collapse;"> <thead> <tr> <th>ACK</th> <th>ID</th> <th>CW</th> <th>DL</th> <th>d0</th> <th>d1</th> <th>d2</th> <th>d3</th> <th>d4</th> <th>d5</th> <th>d6</th> <th>d7</th> </tr> </thead> <tbody> <tr> <td style="text-align: center;"> </td> <td style="text-align: center;">03</td> <td style="text-align: center;">01</td> <td style="text-align: center;">02</td> <td style="text-align: center;">05</td> <td style="text-align: center;">02</td> <td style="text-align: center;">00</td> <td style="text-align: center;">00</td> <td style="text-align: center;">00</td> <td style="text-align: center;">00</td> <td style="text-align: center;">00</td> <td style="text-align: center;">00</td> </tr> </tbody> </table> <p style="color: red;">Sub-Index d0 = 5 (CAN bit rate); Data d1 = 2 (500 K).</p>				INST	ID	CW	DL	d0	d1	d2	d3	d4	d5	d6	d7		03	81	02	05	02	00	00	00	00	00	00	ACK	ID	CW	DL	d0	d1	d2	d3	d4	d5	d6	d7		03	01	02	05	02	00	00	00	00	00	00
INST	ID	CW	DL	d0	d1	d2	d3	d4	d5	d6	d7																																									
	03	81	02	05	02	00	00	00	00	00	00																																									
ACK	ID	CW	DL	d0	d1	d2	d3	d4	d5	d6	d7																																									
	03	01	02	05	02	00	00	00	00	00	00																																									
Note	<ul style="list-style-type: none"> The value of PP[i] will be saved to FLASH memory with a 10,000 write lifespan. Within a specific CAN network, Node IDs and Group IDs of all devices should never be overlapped. 																																																			

UIM2513

2.2 ML controller model and firmware version (Model)

System Settings

CW	0x8B																									
DATA	n/a																									
Description	<p>ML Get the model, function module and firmware version</p> <p>INST data length 0 Data n/a</p> <p>ACK data length 8 Data d0, d1, d2, d3, d4, d5, d6, d7</p>																									
Example GET	INST	ID	CW	DL	d0	d1	d2	d3	d4	d5	d6	d7														
		03	8B	00	00	00	00	00	00	00	00	00														
	ACK	ID	CW	DL	d0	d1	d2	d3	d4	d5	d6	d7														
		03	0B	08	19	0D	00	00	00	00	00	00														
	<p>UIM2513 model information is listed below:</p> <table border="1" style="width: 100%; border-collapse: collapse; margin-top: 5px;"> <tr> <td style="text-align: center;">Model</td> <td style="text-align: center;">d0</td> <td style="text-align: center;">d1</td> <td style="text-align: center;">d2</td> <td style="text-align: center;">d3</td> <td style="text-align: center;">d5: d4</td> <td style="text-align: center;">d7: d6</td> </tr> <tr> <td style="text-align: center;">UIM2513</td> <td style="text-align: center;">0x19</td> <td style="text-align: center;">0x0D</td> <td style="text-align: center;">0x00</td> <td style="text-align: center;">xx</td> <td style="text-align: center;">Firmware Version</td> <td style="text-align: center;">xxxx</td> </tr> </table> <p style="margin-top: 5px;">x – Don't care.</p>													Model	d0	d1	d2	d3	d5: d4	d7: d6	UIM2513	0x19	0x0D	0x00	xx	Firmware Version
Model	d0	d1	d2	d3	d5: d4	d7: d6																				
UIM2513	0x19	0x0D	0x00	xx	Firmware Version	xxxx																				

UIM2513 RS232-CAN Gateway

2.3 SN Serial Number

System Settings

CW	0x8C											
DATA	n/a											
Description	SN Get the serial number of the device INST data length 0 Data n/a ACK data length 8 Data d0, d1, d2, d3, d4, d5, d6, d7											
Example GET	INST	ID	CW	DL	d0	d1	d2	d3	d4	d5	d6	d7
	03	8C	00	00	00	00	00	00	00	00	00	00
	ACK	ID	CW	DL	d0	d1	d2	d3	d4	d5	d6	d7
		03	0C	08	01	02	03	04	05	06	07	08
	Data [d3:d2:d1:d0] = 0x04030201 (Serial number 0067305985). [d5:d4] = 0x0605 (Manufacturer ID 1541). [d7:d6] = 0x0807 (Vendor ID 2055).											

2.4 ER[i] Error Report

System Settings

CW	Disable ACK	0x0F	Request ACK	0x8F																																
DATA	Sub-Index(i)	unsigned 8 bit	Data	unsigned 8 bit																																
Description	<p>ER[i] Get Error Report</p> <p>INST data length 1 Data d0 (=i)</p> <p>ACK data length 6 Data d0 (=i), d1, d2, d3, d4, d5</p>																																			
	<p>ER[i]=0 Clear Error Report</p> <p>INST data length 2 Data d0 (=i), d1, d2</p> <p>ACK data length 6 Data d0 (=i), d1, d2, d3, d4, d5</p>																																			
<table border="1" style="margin: auto; border-collapse: collapse;"> <thead> <tr> <th style="width: 10%;">i</th> <th style="width: 90%;">Description</th> </tr> </thead> <tbody> <tr> <td style="text-align: center;">0</td> <td>Get / Clear The latest error content</td> </tr> <tr> <td style="text-align: center;">6</td> <td>Get / Clear Power on error</td> </tr> <tr> <td style="text-align: center;">10</td> <td>Get / Clear latest errors</td> </tr> <tr> <td style="text-align: center;">11...18</td> <td>Get / Clear the last 2 ... 9 errors</td> </tr> </tbody> </table> <p>Refer to chapter 1.3 "Error Report" for the description of d0, d1, d2, d3, d4, d5.</p>					i	Description	0	Get / Clear The latest error content	6	Get / Clear Power on error	10	Get / Clear latest errors	11...18	Get / Clear the last 2 ... 9 errors																						
i	Description																																			
0	Get / Clear The latest error content																																			
6	Get / Clear Power on error																																			
10	Get / Clear latest errors																																			
11...18	Get / Clear the last 2 ... 9 errors																																			
Example GET	<table border="1" style="width: 100%; border-collapse: collapse; text-align: center;"> <thead> <tr> <th>INST</th><th>ID</th><th>CW</th><th>DL</th><th>d0</th><th>d1</th><th>d2</th><th>d3</th><th>d4</th><th>d5</th><th>d6</th><th>d7</th> </tr> </thead> <tbody> <tr> <td></td><td>03</td><td>8F</td><td>01</td><td style="color: red;">00</td><td>00</td><td>00</td><td>00</td><td>00</td><td>00</td><td>00</td><td>00</td> </tr> </tbody> </table> <p style="color: red;">Sub-Index d0 = 0 (Get the latest error).</p>												INST	ID	CW	DL	d0	d1	d2	d3	d4	d5	d6	d7		03	8F	01	00	00	00	00	00	00	00	00
	INST	ID	CW	DL	d0	d1	d2	d3	d4	d5	d6	d7																								
	03	8F	01	00	00	00	00	00	00	00	00																									
<table border="1" style="width: 100%; border-collapse: collapse; text-align: center;"> <thead> <tr> <th>ACK</th><th>ID</th><th>CW</th><th>DL</th><th>d0</th><th>d1</th><th>d2</th><th>d3</th><th>d4</th><th>d5</th><th>d6</th><th>d7</th> </tr> </thead> <tbody> <tr> <td></td><td>03</td><td>0F</td><td>06</td><td style="color: red;">00</td><td style="color: blue;">14</td><td style="color: blue;">81</td><td style="color: blue;">00</td><td style="color: blue;">00</td><td style="color: blue;">00</td><td>00</td><td>00</td> </tr> </tbody> </table> <p style="color: red;">Sub-Index d0 = 0 (The latest error).</p> <p style="color: blue;">Data</p> <p style="color: blue;">d1 = 0x14 (Error Code, CAN message sending timeout (no response));</p> <p style="color: blue;">d2 = 0x81 (CW related to the error, 0x81 is PP);</p> <p style="color: blue;">d3 = 0x00 (Sub-Index of the CW related to the error);</p> <p style="color: blue;">d4, d5 = 0x00 (reserved).</p> <p>Sum up, "Gateway sent the PP[0], but no response is received."</p>												ACK	ID	CW	DL	d0	d1	d2	d3	d4	d5	d6	d7		03	0F	06	00	14	81	00	00	00	00	00	
ACK	ID	CW	DL	d0	d1	d2	d3	d4	d5	d6	d7																									
	03	0F	06	00	14	81	00	00	00	00	00																									
Example CLEAR	<table border="1" style="width: 100%; border-collapse: collapse; text-align: center;"> <thead> <tr> <th>INST</th><th>ID</th><th>CW</th><th>DL</th><th>d0</th><th>d1</th><th>d2</th><th>d3</th><th>d4</th><th>d5</th><th>d6</th><th>d7</th> </tr> </thead> <tbody> <tr> <td></td><td>03</td><td>8F</td><td>02</td><td style="color: red;">00</td><td style="color: blue;">00</td><td>00</td><td>00</td><td>00</td><td>00</td><td>00</td><td>00</td> </tr> </tbody> </table> <p style="color: red;">Sub-Index d0 = 0 (latest error); Data d1 = 0 (clear).</p>												INST	ID	CW	DL	d0	d1	d2	d3	d4	d5	d6	d7		03	8F	02	00	00	00	00	00	00	00	00
	INST	ID	CW	DL	d0	d1	d2	d3	d4	d5	d6	d7																								
	03	8F	02	00	00	00	00	00	00	00	00																									
<table border="1" style="width: 100%; border-collapse: collapse; text-align: center;"> <thead> <tr> <th>ACK</th><th>ID</th><th>CW</th><th>DL</th><th>d0</th><th>d1</th><th>d2</th><th>d3</th><th>d4</th><th>d5</th><th>d6</th><th>d7</th> </tr> </thead> <tbody> <tr> <td></td><td>03</td><td>0F</td><td>06</td><td style="color: red;">00</td><td style="color: blue;">00</td><td style="color: blue;">00</td><td style="color: blue;">00</td><td style="color: blue;">00</td><td style="color: blue;">00</td><td>00</td><td>00</td> </tr> </tbody> </table> <p style="color: red;">Sub-Index d0 = 0 (latest error); Data d5 ... d1 = 0 (no error).</p>												ACK	ID	CW	DL	d0	d1	d2	d3	d4	d5	d6	d7		03	0F	06	00	00	00	00	00	00	00	00	
ACK	ID	CW	DL	d0	d1	d2	d3	d4	d5	d6	d7																									
	03	0F	06	00	00	00	00	00	00	00	00																									

UIM2513 RS232-CAN Gateway

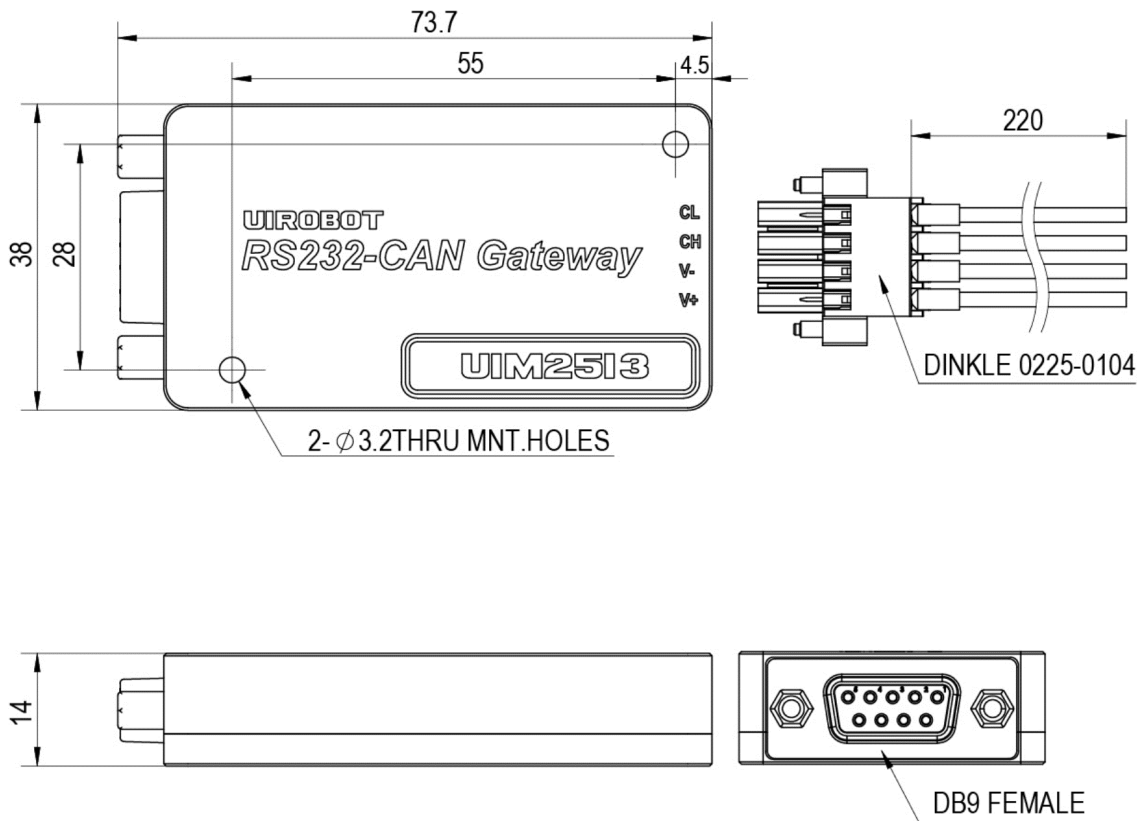
2.5 SY[i] System Operation

System Settings

CW	0x7E												
DATA	Sub-Index(i)	unsigned 8 bit				Data				n/a			
Description	SY[i] System Operation INST data length 1 Data d0 (=i) No ACK												
	i	Description											
	1	Reboot the device											
	2	Restore factory defaults											
Example SET	INST	ID	CW	DL	d0	d1	d2	d3	d4	d5	d6	d7	
		03	7E	01	00	00	00	00	00	00	00	00	
Sub-Index d0 = 1 (Reboot the device). ACK: n/a													

Appendix-1 Dimensions

Unit: mm



Appendix-2 RTU CRC16 Source Code

UIMessage uses CRC-16 (modbus) algorithm. For details, please refer to Online CRC-8 CRC-16 CRC-32 Calculator (crccalc.com) . The source code used in the calculation is listed below .

// CRC low byte table

```
unsigned char tblCRCLo [ 256] = {
0x00, 0xC0, 0xC1, 0x01, 0xC3, 0x03, 0x02, 0xC2, 0xC6, 0x06, 0x07, 0xC7, 0x05, 0xC5, 0xC4, 0x04, 0xCC, 0x0C, 0x0D,
0xCD, 0x0F, 0xCF, 0xCE, 0x0E, 0x0A, 0xCA, 0xCB, 0x0B, 0xC9, 0x09, 0x08, 0xC8, 0xD8, 0x18, 0x19, 0xD9, 0x1B,
0xDB, 0xDA, 0x1A, 0x1E, 0xDE, 0xDF, 0x1F, 0xDD, 0x1D, 0x1C, 0xDC, 0x14, 0xD4, 0xD5, 0x15, 0xD7, 0x17, 0x16,
0xD6, 0xD2, 0x12, 0x13, 0xD3, 0x11, 0xD1, 0xD0, 0x10, 0xF0, 0x30, 0x31, 0xF1, 0x33, 0xF3, 0x32, 0xF2, 0x32, 0x36, 0xF6,
0xF7, 0x37, 0xF5, 0x35, 0x34, 0xF4, 0x3C, 0xFC, 0xFD, 0x3D, 0xFF, 0x3F, 0x3E, 0xFE, 0xFA, 0x3A, 0x3B, 0xFB, 0x39,
0xF9, 0xF8, 0x38, 0x28, 0xE8, 0xE9, 0x29, 0xEB, 0x2B, 0x2A, 0xEA, 0xEE, 0x2E, 0x2F, 0xEF, 0x2D, 0xED, 0xEC,
0x2C, 0xE4, 0x24, 0x25, 0xE5, 0x27, 0xE7, 0xE6, 0x26, 0x22, 0xE2, 0xE3, 0x23, 0xE1, 0x21, 0x20, 0xE0, 0xA0, 0x60,
0x61, 0xA1, 0x63, 0xA3, 0xA2, 0x62, 0x66, 0xA6, 0xA7, 0x67, 0xA5, 0x65, 0x64, 0xA4, 0x6C, 0xA4, 0xAD, 0x6D,
0xAF, 0x6F, 0x6E, 0xAE, 0xAA, 0x6A, 0x6B, 0xAB, 0x69, 0xA9, 0xA8, 0x68, 0x78, 0xB8, 0xB9, 0x79, 0xBB, 0x7B,
0x7A, 0xBA, 0xBE, 0x7E, 0x7F, 0xBF, 0x7D, 0xBD, 0xBC, 0x7C, 0xB4, 0x74, 0x75, 0xB5, 0x77, 0xB7, 0xB6, 0x76,
0x72, 0xB2, 0xB3, 0x73, 0xB1, 0x71, 0x70, 0xB0, 0x50, 0x90, 0x91, 0x51, 0x93, 0x53, 0x52, 0x92, 0x96, 0x56, 0x57,
0x97, 0x55, 0x95, 0x94, 0x54, 0x9C, 0x5C, 0x5D, 0x9D, 0x5F, 0x9F, 0x9E, 0x5E, 0x5A, 0x9A, 0x9B, 0x5B, 0x99, 0x59,
0x58, 0x98, 0x88, 0x48, 0x49, 0x89, 0x4B, 0x8B, 0x8A, 0x4A, 0x4E, 0x8E, 0x8F, 0x4F, 0x8D, 0x4D, 0x4C, 0x8C, 0x44,
0x84, 0x85, 0x45, 0x87, 0x47, 0x46, 0x86, 0x82, 0x42, 0x43, 0x83, 0x41, 0x81, 0x80, 0x40 };
```

// CRC high byte table

```
unsigned char tblCRCHi [ 256] = {
0x00, 0xC1, 0x81, 0x40, 0x01, 0xC0, 0x80, 0x41, 0x01, 0xC0, 0x80, 0x41, 0x00, 0xC1, 0x81, 0x40, 0x01, 0xC0, 0x80,
0x41, 0x00, 0xC1, 0x81, 0x40, 0x00, 0xC1, 0x81, 0x40, 0x01, 0xC0, 0x80, 0x41, 0x01, 0xC0, 0x80, 0x41, 0x00, 0xC1,
0x81, 0x40, 0x00, 0xC1, 0x81, 0x40, 0x01, 0xC0, 0x80, 0x41, 0x00, 0xC1, 0x81, 0x40, 0x01, 0xC0, 0x80, 0x41, 0x01,
0xC0, 0x80, 0x41, 0x00, 0xC1, 0x81, 0x40, 0x01, 0xC0, 0x80, 0x41, 0x00, 0xC1, 0x81, 0x40, 0x01, 0xC0, 0x80, 0x41,
0x00, 0xC1, 0x81, 0x40, 0x00, 0xC1, 0x81, 0x40, 0x01, 0xC0, 0x80, 0x41, 0x01, 0xC0, 0x80, 0x41, 0x00, 0xC1, 0x81,
0x40, 0x00, 0xC1, 0x81, 0x40, 0x01, 0xC0, 0x80, 0x41, 0x01, 0xC0, 0x80, 0x41, 0x00, 0xC1, 0x81, 0x40, 0x01, 0xC0,
0x80, 0x41, 0x01, 0xC0, 0x80, 0x41, 0x00, 0xC1, 0x81, 0x40, 0x01, 0xC0, 0x80, 0x41, 0x00, 0xC1, 0x81, 0x40, 0x01,
0xC0, 0x80, 0x41, 0x00, 0xC1, 0x81, 0x40, 0x00, 0xC1, 0x81, 0x40, 0x01, 0xC0, 0x80, 0x41, 0x01, 0xC0, 0x80, 0x41,
0x00, 0xC1, 0x81, 0x40, 0x01, 0xC0, 0x80, 0x41, 0x00, 0xC1, 0x81, 0x40, 0x00, 0xC1, 0x81, 0x40, 0x01, 0xC0, 0x80,
0x41, 0x01, 0xC0, 0x80, 0x41, 0x00, 0xC1, 0x81, 0x40, 0x00, 0xC1, 0x81, 0x40, 0x01, 0xC0, 0x80, 0x41, 0x01, 0xC0,
0x80, 0x41, 0x00, 0xC1, 0x81, 0x40, 0x00, 0xC1, 0x81, 0x40, 0x01, 0xC0, 0x80, 0x41, 0x00, 0xC1, 0x81, 0x40, 0x01,
0xC0, 0x80, 0x41, 0x00, 0xC1, 0x81, 0x40 };
```

// Calculate CRC, * buf points to 0xAA ID CW ... d8 data sequence, qty = 13 bytes

```
unsigned short RtuCrc16(unsigned char* buf, unsigned int qty)
{
    unsigned char crcH = 0xFF;
    unsigned char crcL = 0xFF;
    int idx = 0;

    while (qty-->0)
    {
        idx = crcL ^ *buf++;
        crcL = crcH ^ tblCRCHi [ idx ];
        crcH = tblCRCLo [ idx ];
    }

    return ( crcH << 8) | crcL ;
}
```